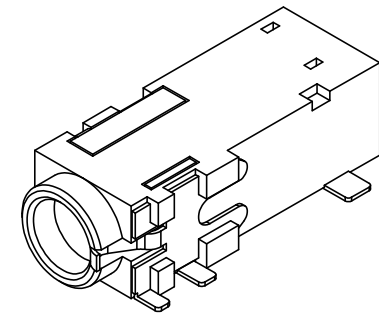
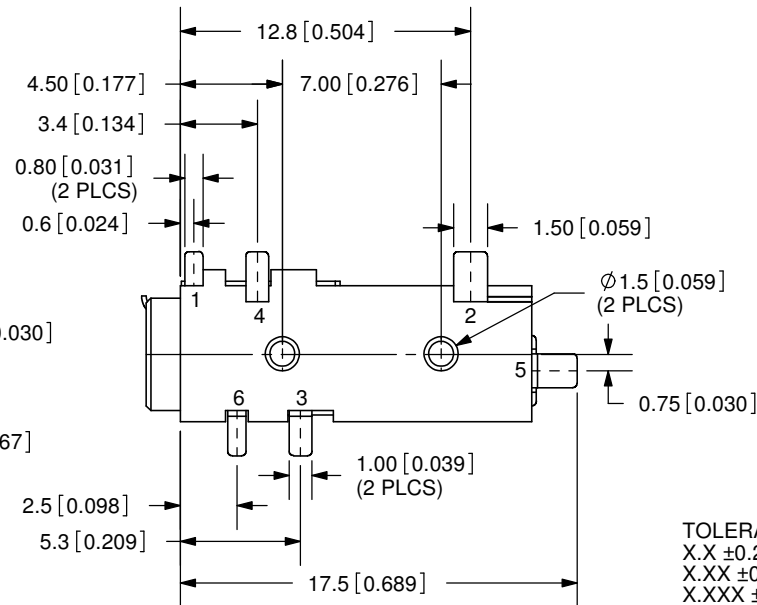
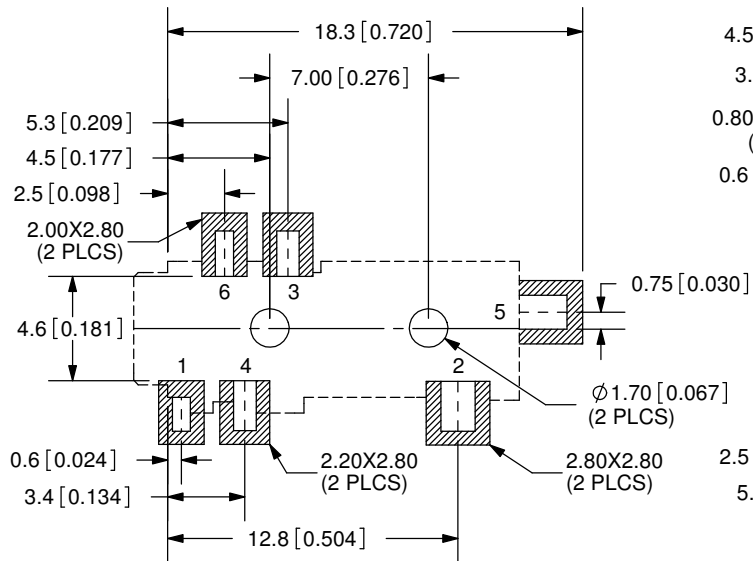
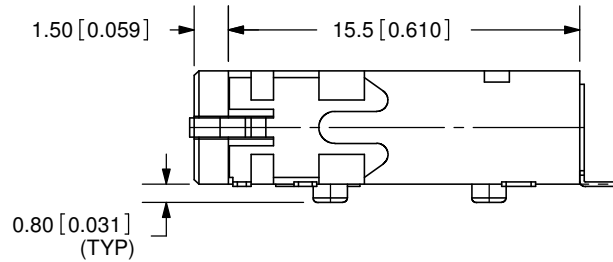
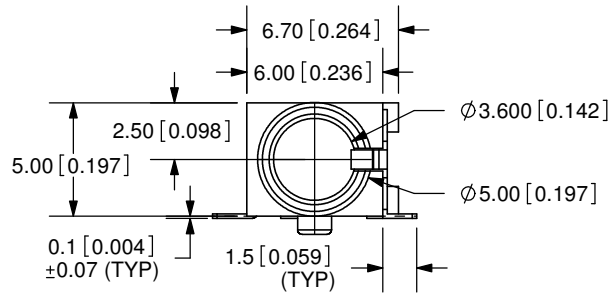


REV.	DESCRIPTION	DATE
A	NEW DRAWING	1/17/2006
B	Rear cover removed	3/20/2007



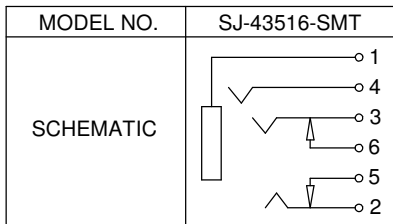
TOLERANCE:  
 X.X ±0.2mm  
 X.XX ±0.1mm  
 X.XXX ±0.05mm



PCB LAYOUT  
TOP VIEW

**SPECIFICATIONS:**

RATING: 12V DC @ 1A  
 CONTACT RESISTANCE: 30m OHMS MAX  
 INSULATION RESISTANCE: 50M OHMS MIN: 500V DC  
 VOLTAGE WITHSTAND: 500V AC R.M.S. FOR 1 MINUTE  
 LIFE: 5,000 CYCLES



	MATERIAL	PLATING
TERMINAL 1	Copper Alloy	Silver
TERMINAL 2	Copper Alloy	Silver
TERMINAL 3	Copper Alloy	Silver
TERMINAL 4	Copper Alloy	Silver
TERMINAL 5	Brass	Silver
TERMINAL 6	Brass	Silver
HOUSING	PA6T	



**CUI INC**

20050 SW 112th Ave.  
 Tualatin, OR 97062  
 Phone: 503-612-2300  
 800-275-4899  
 Fax: 503-612-2383  
 Website: www.cui.com

TITLE: SMT AUDIO JACK W/4 CONDUCTORS 3.5mm		REV: B
PART NO. SJ-43516-SMT		UNITS: MM [INCHES]
DRAWN BY: ZRJ	APPROVED BY:	SCALE: 3:1

PC FILE NAME:  
SJ-43516-SMT

COPYRIGHT 2007 BY CUI INC.